

DAVE

CAUTION
THIS DRAWING IS NOT THE LATEST REVISION
REFER TO ECR 20690

ECO 7447 driver / Kennedy
MAN 72 driver / Kennedy

7447
205
172

REV	DESCRIPTION	DATE & APPROVAL
E	ECO 20450	3-15-81
F	ECO 20513	3-17-81
G	ECO 20577	4-7-81

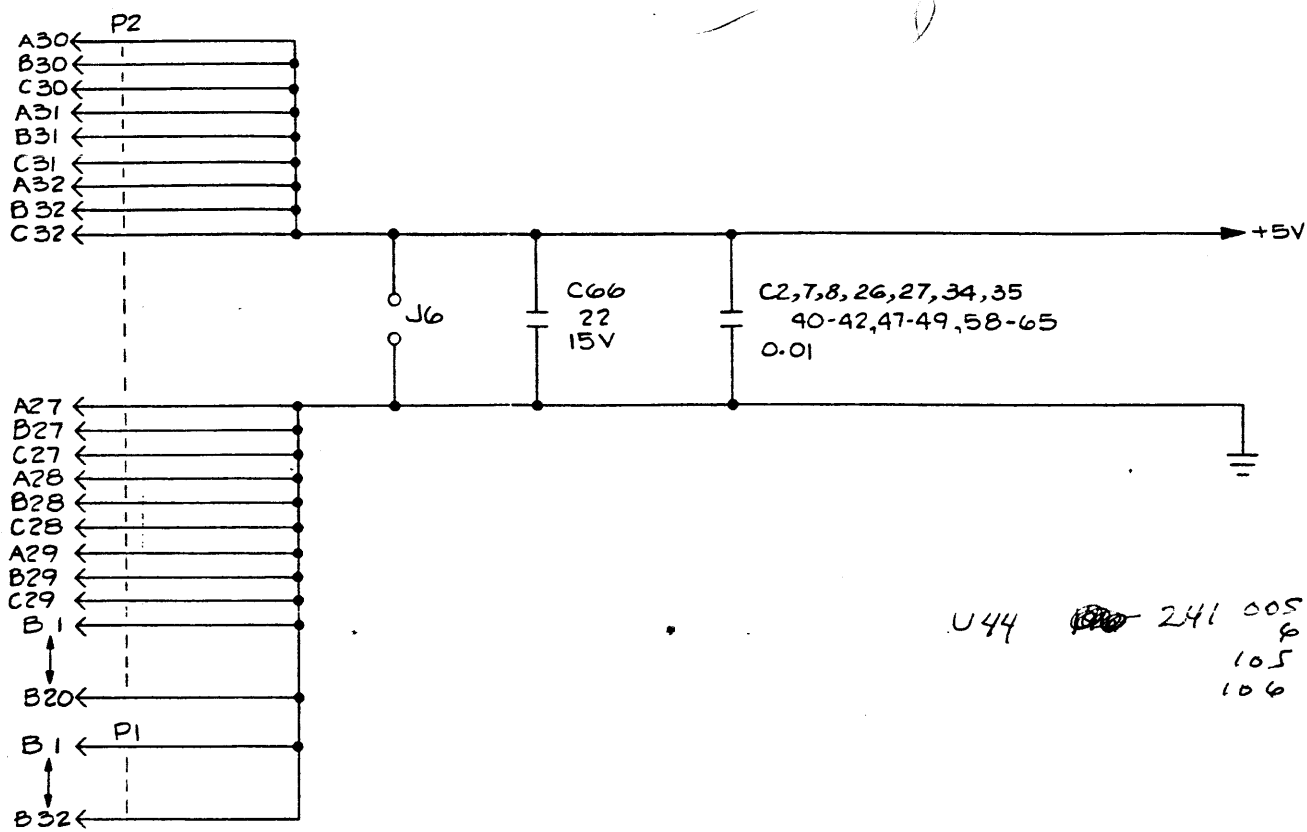
REV	DESCRIPTION	DATE & APPROVAL
A	RTP ECO 19763	4-27-81
B	ECO 20127	5-27-81
C	ECO 20291	5-28-81

REV	DESCRIPTION	DATE & APPROVAL
A	ECO 20450	3-15-81
B	ECO 20513	3-17-81
C	ECO 20577	4-7-81

REV	DESCRIPTION	DATE & APPROVAL
A	ECO 20450	3-15-81
B	ECO 20513	3-17-81
C	ECO 20577	4-7-81

REV	DESCRIPTION	DATE & APPROVAL
A	ECO 20450	3-15-81
B	ECO 20513	3-17-81
C	ECO 20577	4-7-81

REV	DESCRIPTION	DATE & APPROVAL
A	ECO 20450	3-15-81
B	ECO 20513	3-17-81
C	ECO 20577	4-7-81



U41 234
U22 230 U117-237
U42 232 U8-238
54-233
43 231
119 235
103 236

U44 241 005
105
106

REF DES	TYPE	GND	+5
U1,8,42,43,54,72,103,117	PAL IGL8-15N5	10	20
U119	PAL 10RA	10	20
U102,109	AM 2955	10	20
U41	NCR5385E	24	48
U9	NCR8310	13	-
U44	27128	14	28
U64	AM29827	12	24
U105	AM29842	12	24
U94,95	AM29843	12	24
U104	AM29844	12	24
U81	AM29861	12	24
U12	HD68B09	-	7
U3	74ALS04	7	14
U2	74LS14	7	14
U118	74LS74	7	14
U10,17	74F86	7	14
U112,115,116	74HCT138	8	16
U98,99	74HCT161	8	16

REF DES	TYPE	GND	+5
U120	74LS174	8	16
U89	74S175	8	16
U106,107,113,114	74LS240	10	20
U70	74HCT245	10	20
U58,71	74HCT257	8	16
U56	74LS280	7	14
U55	74LS367	8	16
U87	74HCT374	10	20
U88	74LS623	10	20
U57	74LS646	12	24
U67,68,84,85,97,100-102,110,111	74HC691	10	20
U63,66,82,83,96	74LS697	10	20
U23-29,34-39,49-53	DS3695	5	8
U69,86	MB81416	-	9
U18	20NS	7	14
U59	74F257	8	16

REF DES	LAST USED	NOT USED
C67		
D3		
FUSE 1		
J6		
LD3		
LK3		
P2		
R16		
SW2		
U120		
Y2		
RN19		
L2		

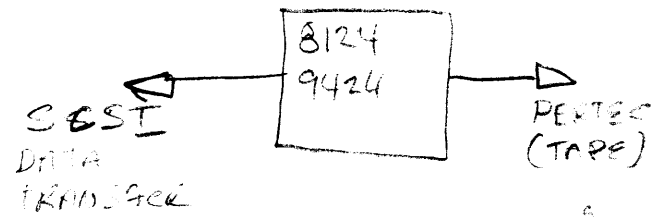
- REF R20215
- SEE TEA 20576.
- THIS SCHEMATIC IS FOR REFERENCE ONLY, SEE 404-08124-000, 120-00109-XXX AND 120-00110-XXX.
- COMPONENT LOCATIONS PROVIDED ON THE PCB BUT NOT USED.
- THIS SCHEMATIC DEPICTS BOTH A SINGLE ENDED OR A DIFFERENTIAL DRIVER ASSY, WITH ADDITIONAL MEMORY AS NEEDED. THE BASIC PART OF THIS SCHEMATIC IS USED FOR BOTH.
 - A) THE SINGLE ENDED CKT IS SHOWN WITH SOLID LINES.
 - B) THE DIFFERENTIAL CKT IS SHOWN WITH ZONED DASH LINES.
- RESISTORS ARE IN OHMS 5%, 1/4 W.
- CAPACITORS ARE IN MICROFARADS.

NOTES: UNLESS OTHERWISE SPECIFIED.

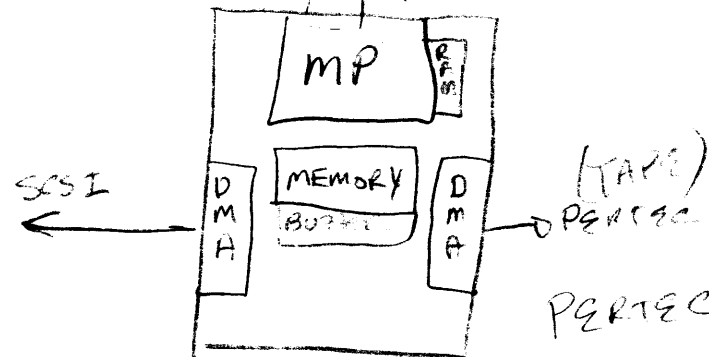
REV STATUS	REV	G	G	G	G	A	A	A	G	A	G	A	G	G	S
OF SHEETS	SHEET	1	2	3	4	5	6	7	8	9	10	11	12	13	14

KENNEDY
SCHEM, SC51/PERT
TAPE CONT

SCSI FUNCTION



used for
COMMAND - STATUS
TRANSLATOR



DATA - MP → DMA - MEM
MEM → DMA (TAP)

PERTEC

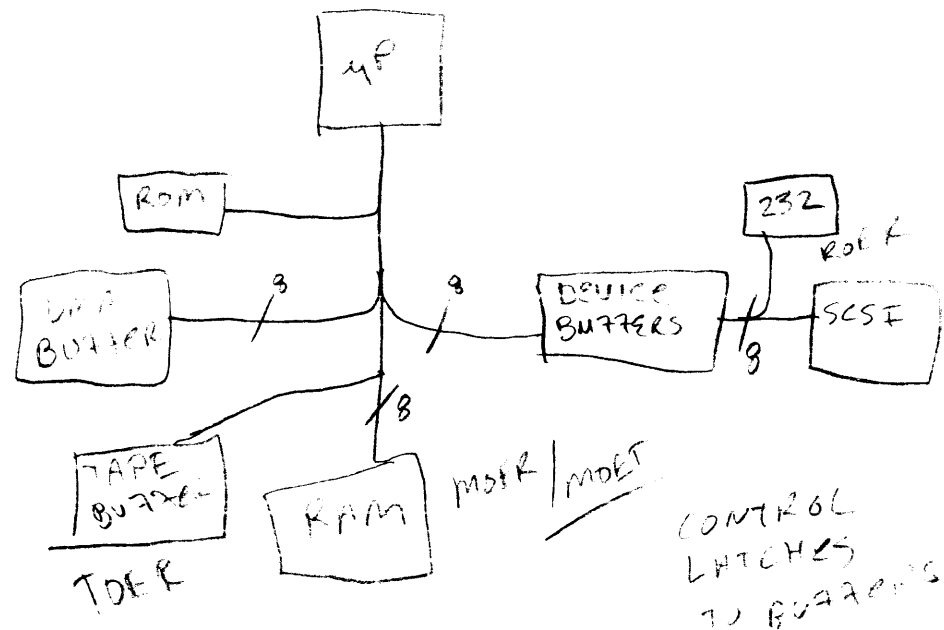
2902 BUS

DATA BUS

STATUS

CONTROL

ERROR
LOAD
UNIT
I/O



2/14

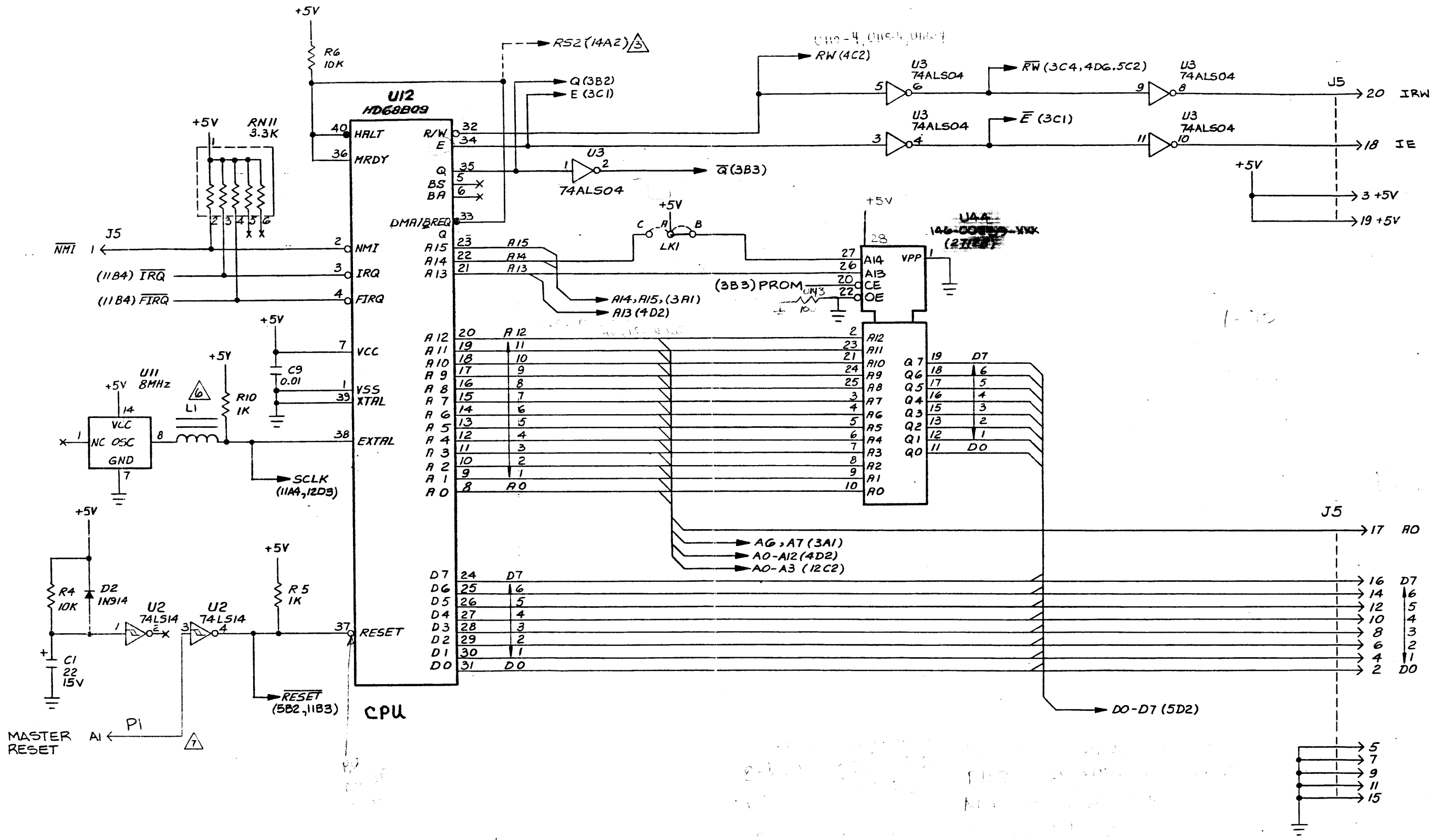
These drawings and specifications are the property of Kennedy Company and shall not be reproduced or copied or used as the basis for the manufacture or sale of apparatus without permission.

REV	DESCRIPTION	DATE & APPROVAL
1	QUADIFIED FOR MILITARY	4-15-88
2	R20215	1/11/92

REV	DESCRIPTION	DATE & APPROVAL
1	QUADIFIED FOR MILITARY	4-15-88
2	R20215	1/11/92

REV	DESCRIPTION	DATE & APPROVAL
1	QUADIFIED FOR MILITARY	4-15-88
2	R20215	1/11/92

REV	DESCRIPTION	DATE & APPROVAL
1	QUADIFIED FOR MILITARY	4-15-88
2	R20215	1/11/92



SCSI Tape Controller
 Type 8124
 Schematic Diagram

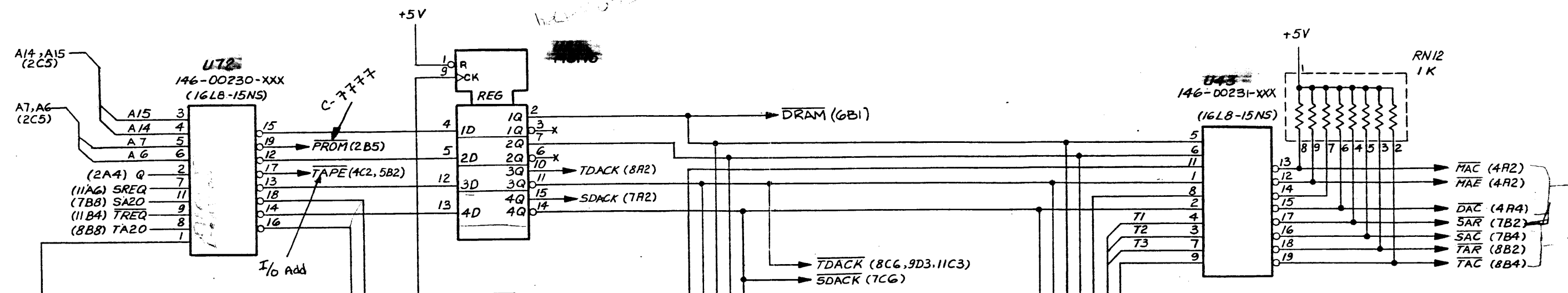
PERTEC = ALL TAPE

*-101

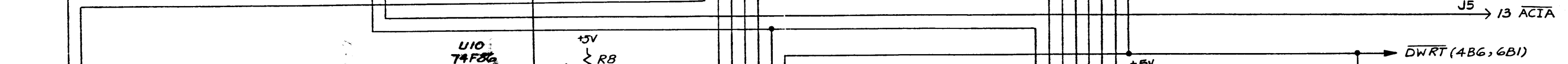
These drawings and specifications are the property of Kennedy Company and shall not be reproduced, or copied, or used as the base for the manufacture or sale of apparatus without permission.

SREQ SCSI REQUEST

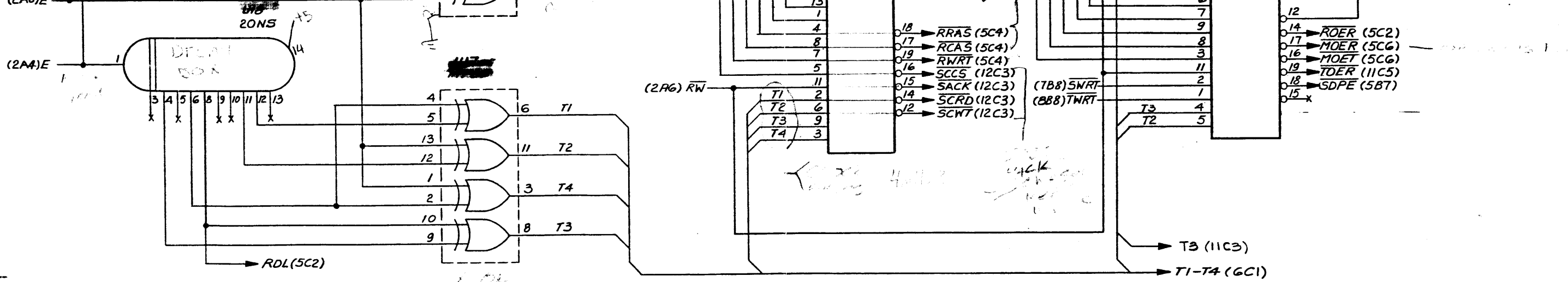
A



B



C



D

TAPE CONTROLLER
TAPE STATUS

SCSI Tape Controller
Type 8124
Schematic Diagram

GI GEE SHEET ONE

REV	DESCRIPTION	DATE & APPROVAL
1		

REVISIONS

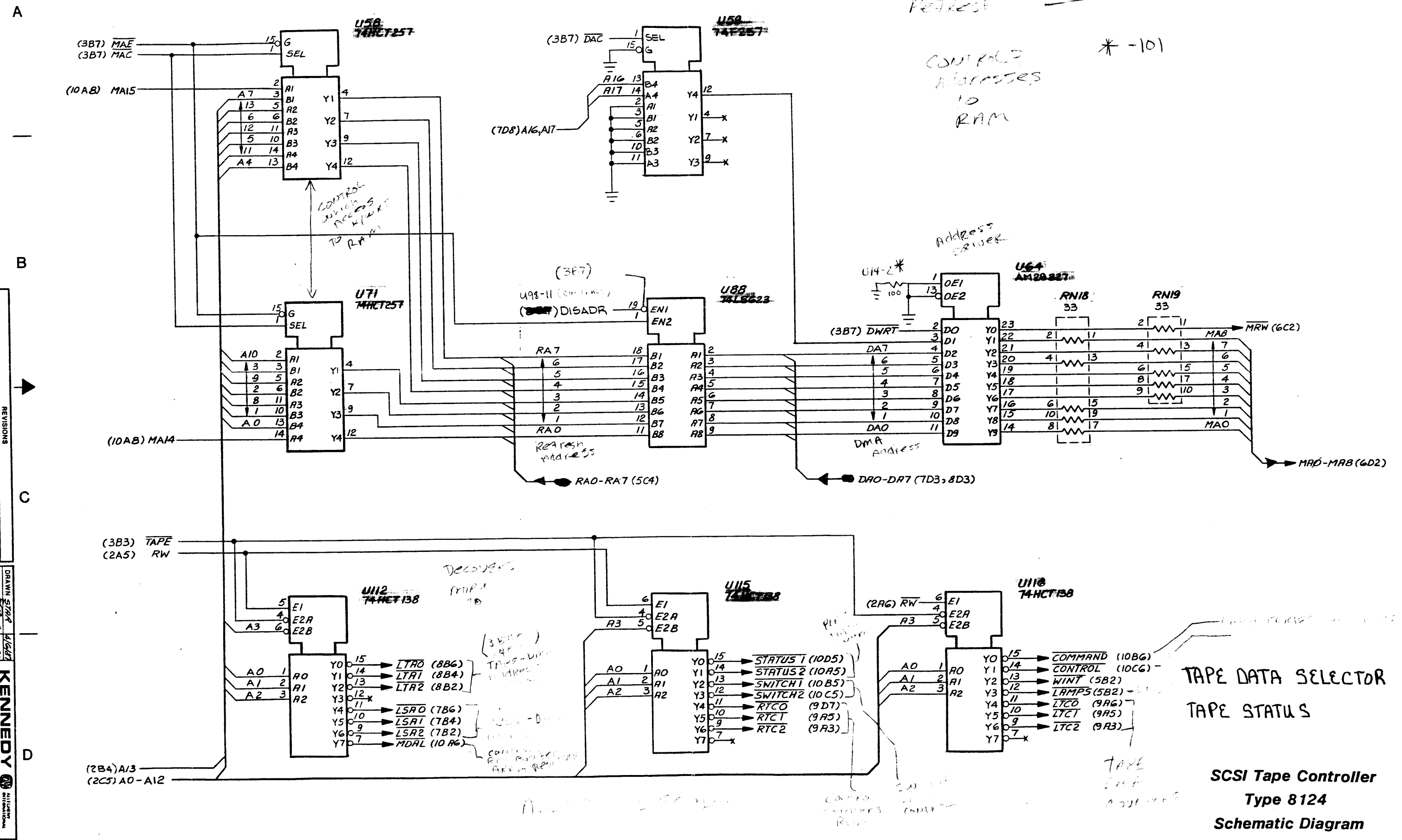
NO.	DESCRIPTION	DATE & APPROVAL
1		

DRAWN: STAR
CHECK: STAR
DESIGN: STAR
APPD: STAR
MODEL: 96XX

KENNEDY
MUNICIPAL CALIFORNIA STATE
SCHEM, SCSI/PERT
TAPE CONT

These drawings and specifications are the property of Kennedy Company and shall not be reproduced, or copied or used as the base for the manufacture or sale of apparatus without permission.

PERIOD DATA
SCSI DMA
MPU
Request
ACCESS
RPI

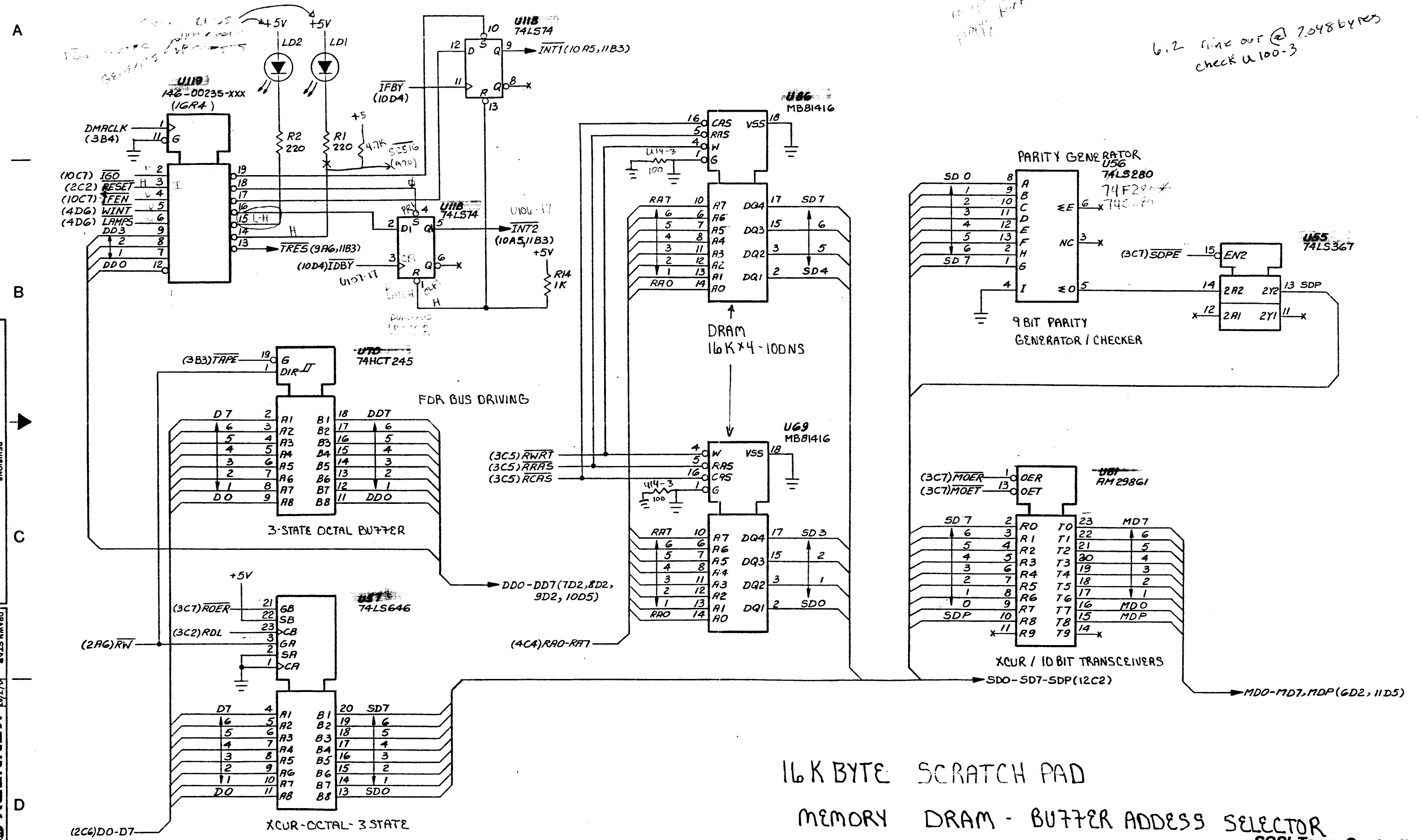


TAPE DATA SELECTOR
TAPE STATUS

SCSI Tape Controller
Type 8124
Schematic Diagram

*U119-12, 19
no 100-3
part*

*6.2 line out @ 2.048 bytes
check U100-3*

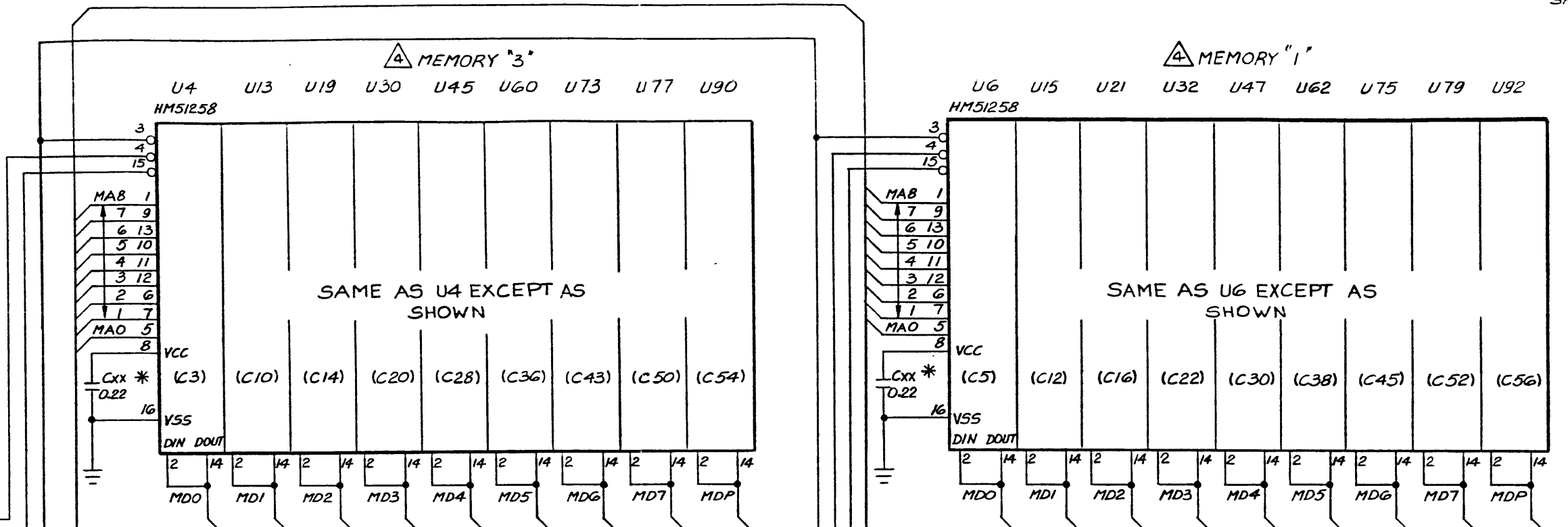


REV	DESCRIPTION	DATE & APPROVAL
A	SEE SHEET ONE	

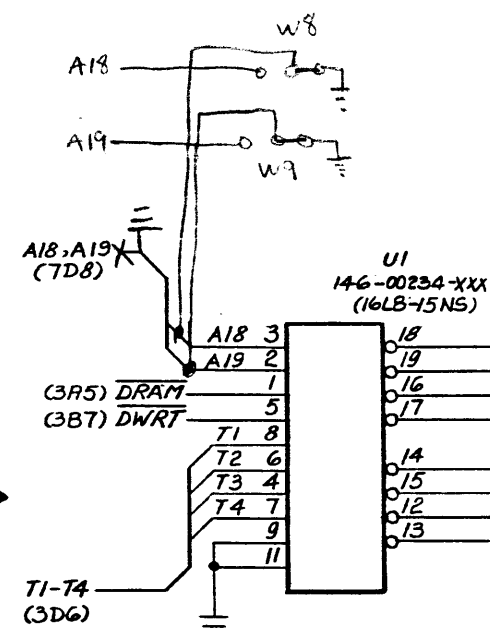
REV	DESCRIPTION	DATE & APPROVAL
1	SCHEM, SC51/PERT	
2	TAPE CONT	

These drawings and specifications are the property of Kennedy Company and shall not be reproduced, or copied or used as the basis for the manufacture or sale of apparatus without permission.

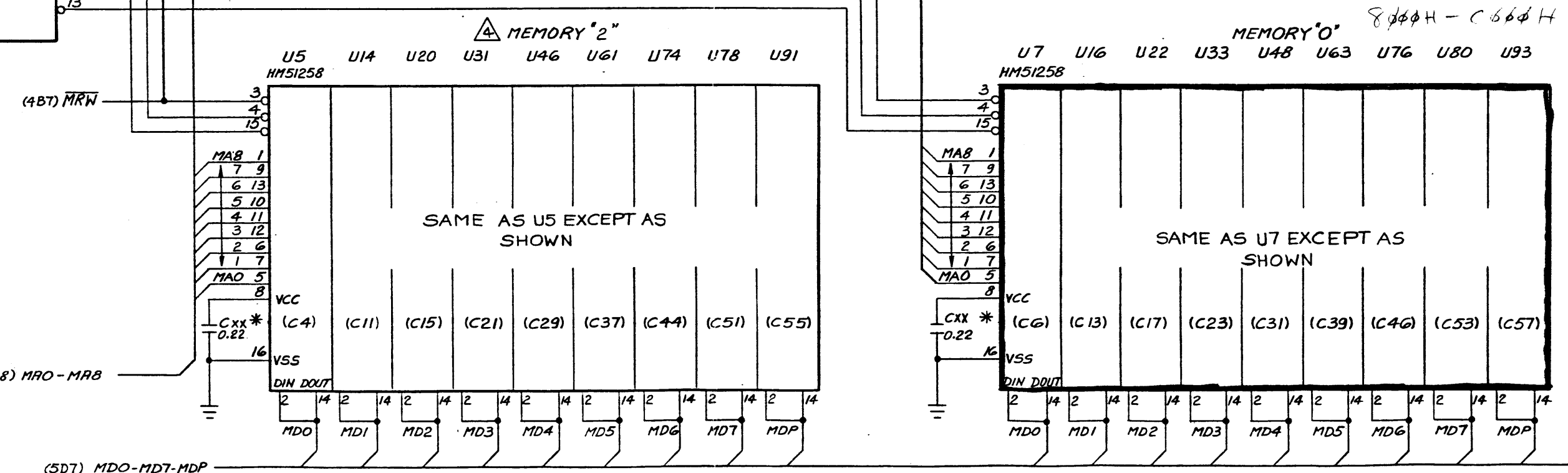
A



B



C



D

REV	DESCRIPTION	DATE & APPROVAL
1	SEE SHEET ONE	

REV	DESCRIPTION	DATE & APPROVAL
1	SEE SHEET ONE	

* A FILTER CAPACITOR IS USED FOR EACH IC.
REFERENCE DESIGNATOR SHOWN IN PARENTHESES FOR EACH IC.

DRAM 256 K x 1 100NS
262,144 WORDS x 1 BIT SCRAM
256 K x 9 BIT DATA BUFFER

USED ON
UN-8124-22 8124

SCSI Tape Controller
Type 8124
Schematic Diagram

These drawings and specifications are the property of Kennedy Company and shall not be reproduced or copied, or used as the basis for the manufacture or sale of apparatus without permission.

A

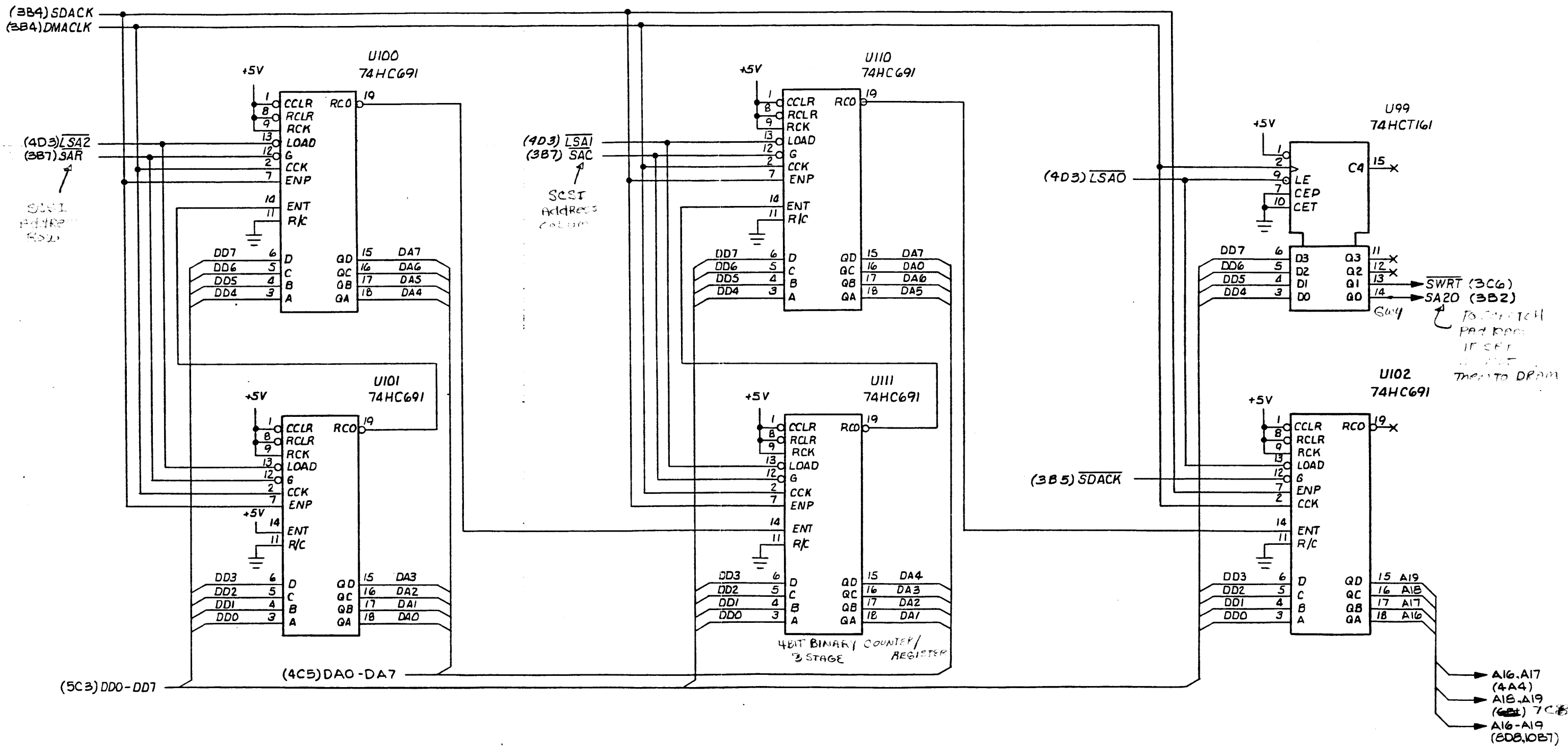
B

C

D

REV	DESCRIPTION	DATE & APPROVAL
A	SEE SHEET ONE	

REV	DESCRIPTION	DATE & APPROVAL
1	SCHEM, SCSI/PERT TAPE CONT	



SCSI DMA CONTROLLER

SCSI Tape Controller
Type 8124
Schematic Diagram

A

COUNTER TO COUNT (1E)

(3B4) TDACK
(3B4) DMACLK

(4D3) LTA2
(3B7) TAR

(4D3) LTA1
(3B7) TAC

(4D3) LTA0

(3B5) TDACK

(5C3) DDO-DD7

(4C5) DA0 - DA7

(7D8) A16 - A19
(10-7)

TAPE DMA (ADD REG) CONTROLLER

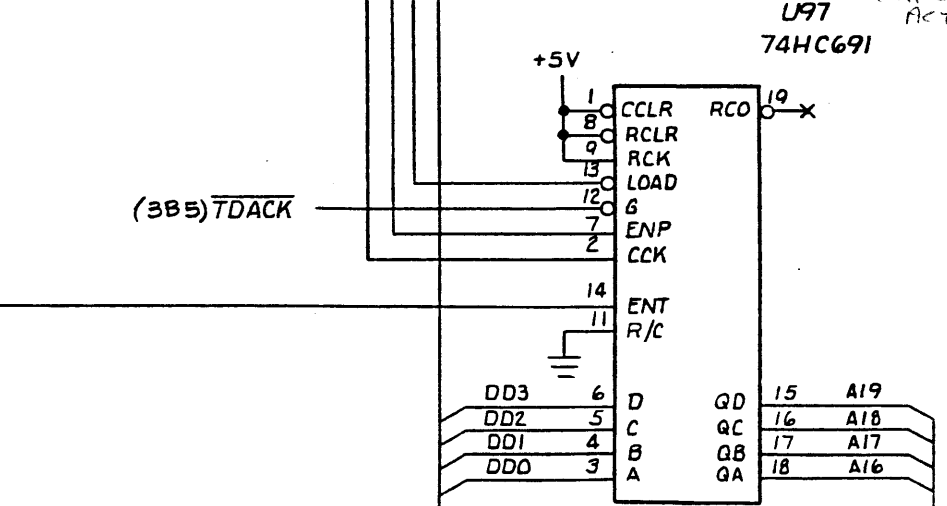
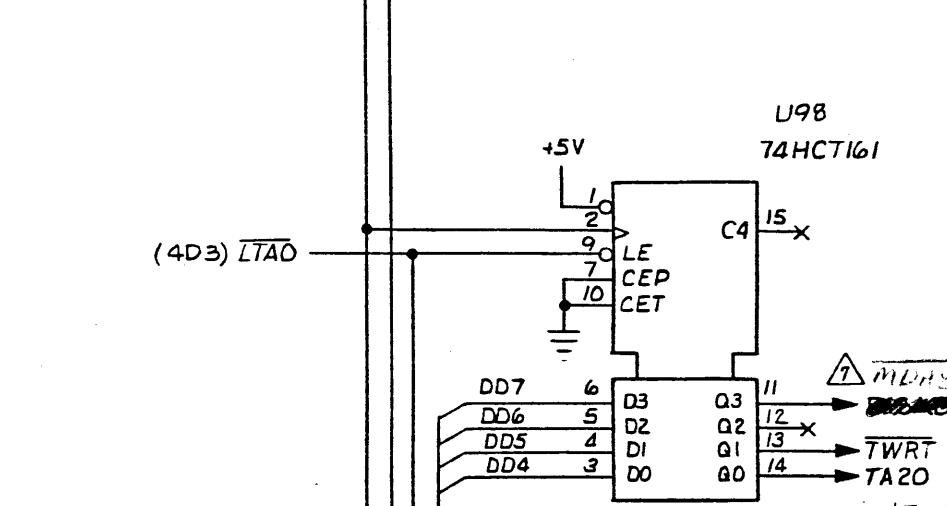
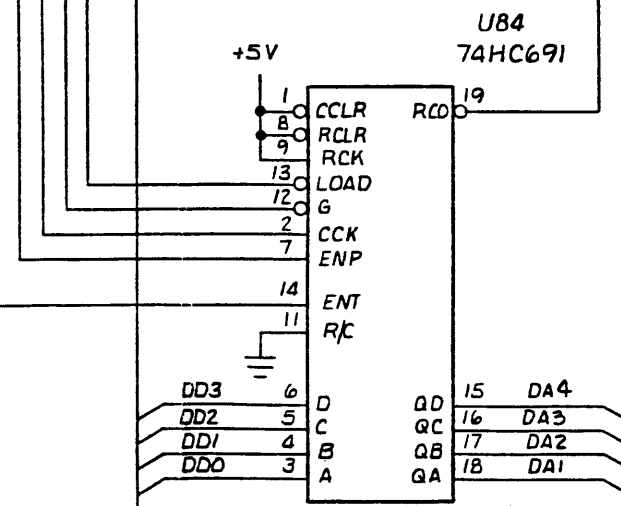
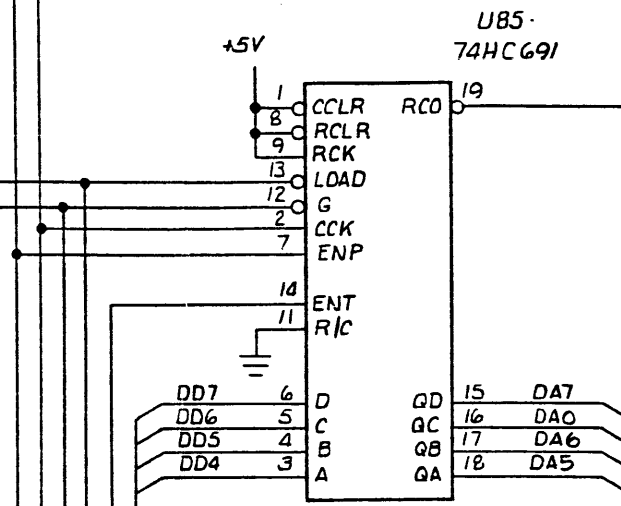
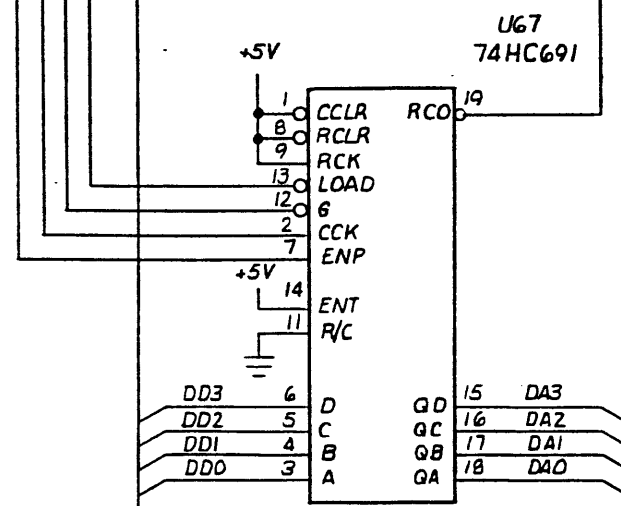
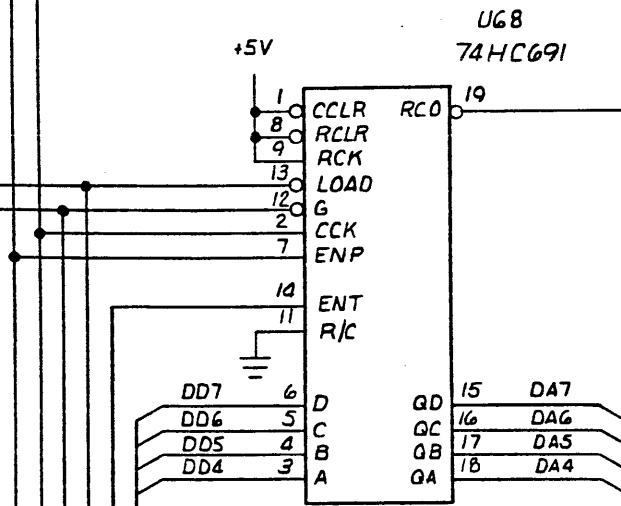
SCSI Tape Controller
Type 8124
Schematic Diagram

REV	DESCRIPTION	DATE & APPROVAL
1	SEE SHEET ONE	

REVISIONS

DRAWN C.E.	1/9/87
CHECKED	4/22/87
DESIGN	
ENGR	
APPD	
MODEL	

KENNEDY
SCHEMatics
TAPe CONT



U87-1
455-19
MDS
IF TAPE UNIT IS
TO BE USED TO
SCSI HEAD
(SHOULD BE SET TO
ACTIVE)

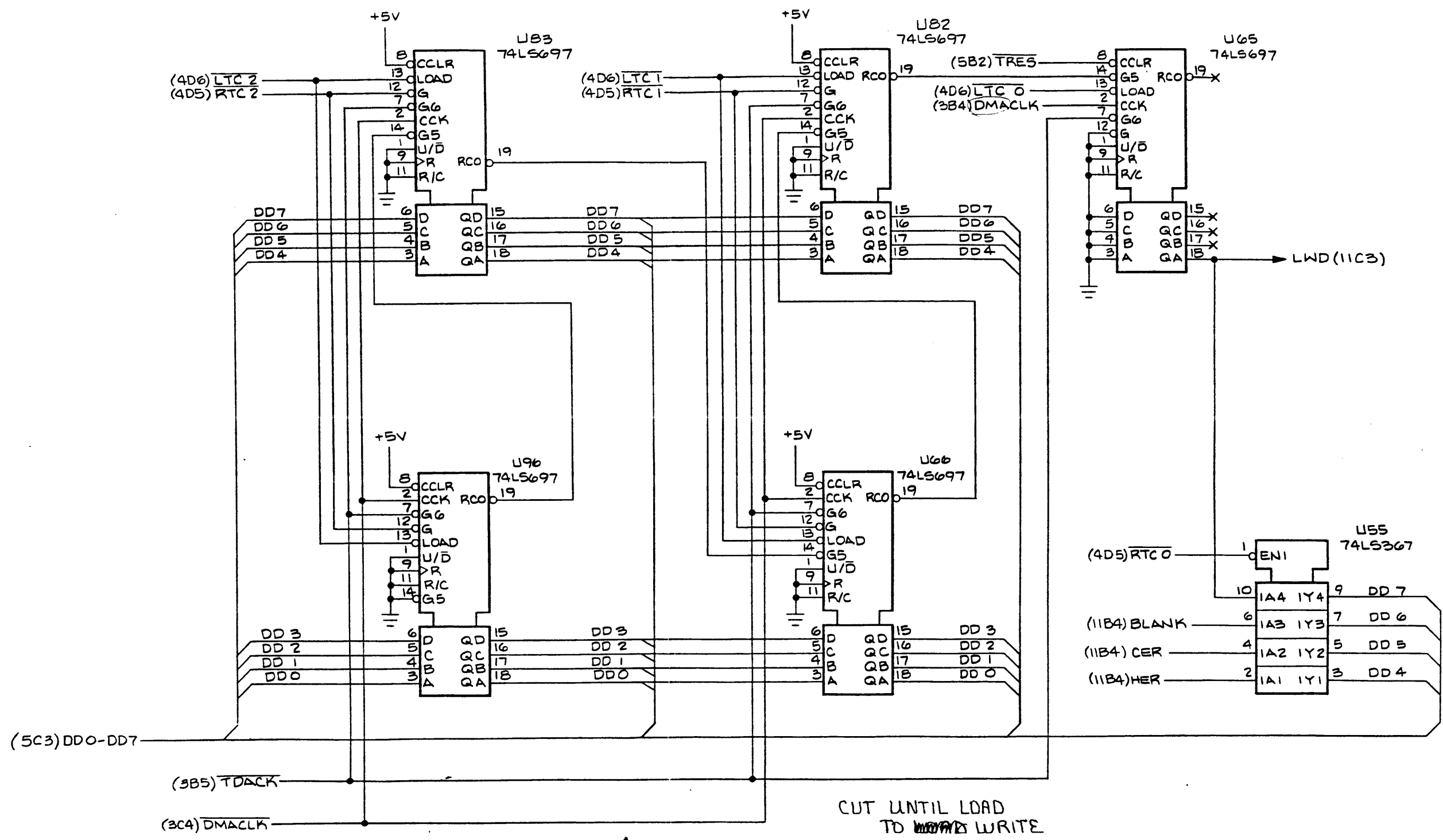
These drawings and specifications are the property of Kennedy Company and shall not be reproduced, or copied or used as the basis for the manufacture or sale of apparatus without permission.

A

B

C

D



REV	DESCRIPTION	DATE & APPROVAL
A	SEE SHEET ONE	

DESIGN	DATE
ENGR	12-7-74
APPD	
MODEL	

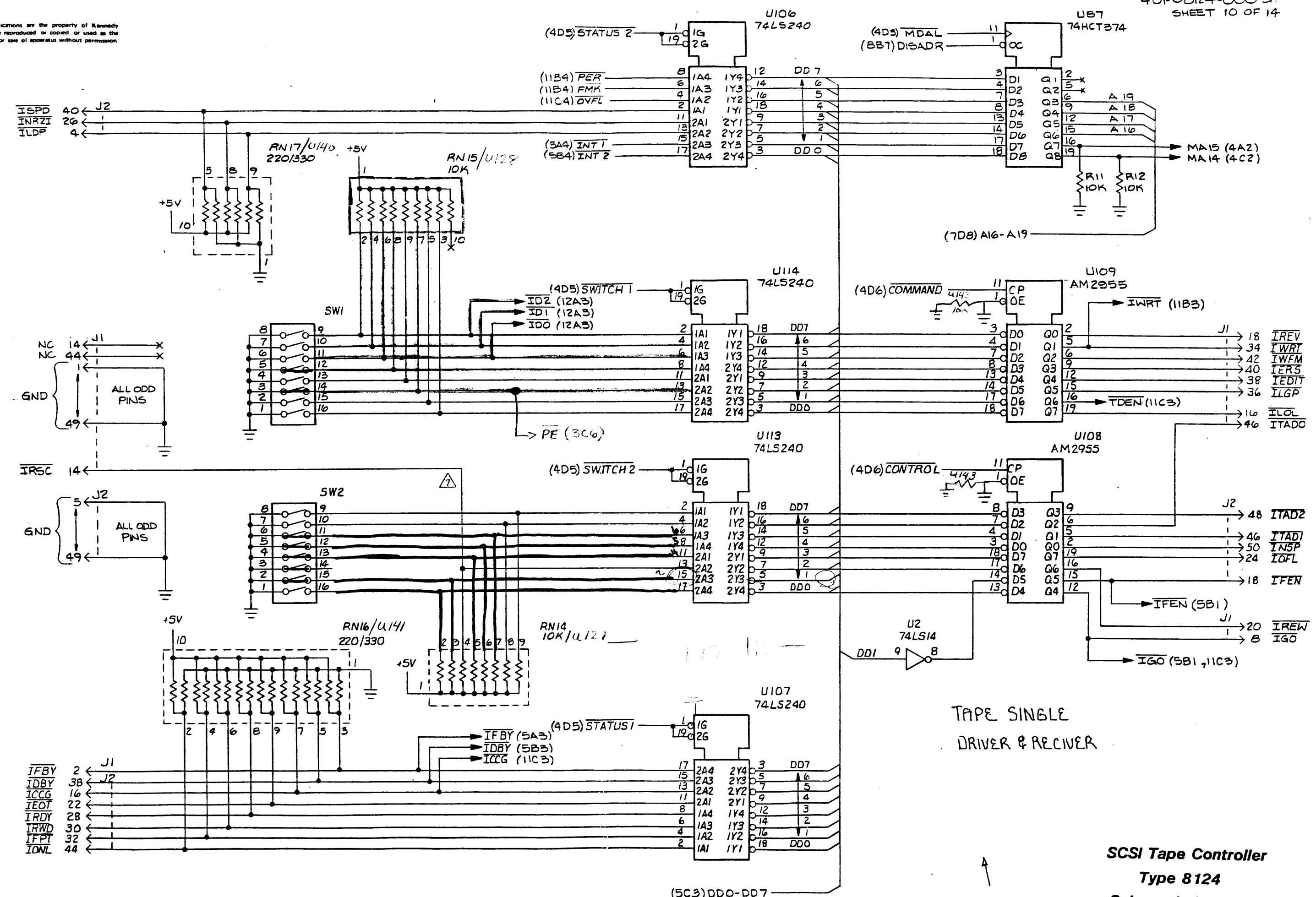
DRW	DATE
CHEK	12-7-74
ENGR	
APPD	
MODEL	

KENNEDY
MINIOWA, CALIFORNIA 91015

SCHEMATIC
TAPE COUNT

TAPE STATUS CRT
LOOP
SCSI Tape Controller
Type 8124
Schematic Diagram

These drawings and specifications are the property of Kennedy Company and shall not be reproduced or copied, or used as the basis for the manufacture or sale of apparatus without permission.



TAPE SINGLE
DRIVER & RECEIVER

SCSI Tape Controller
Type 8124
Schematic Diagram

REV	DESCRIPTION	DATE & APPROVAL
1	SEE SHEET ONE	

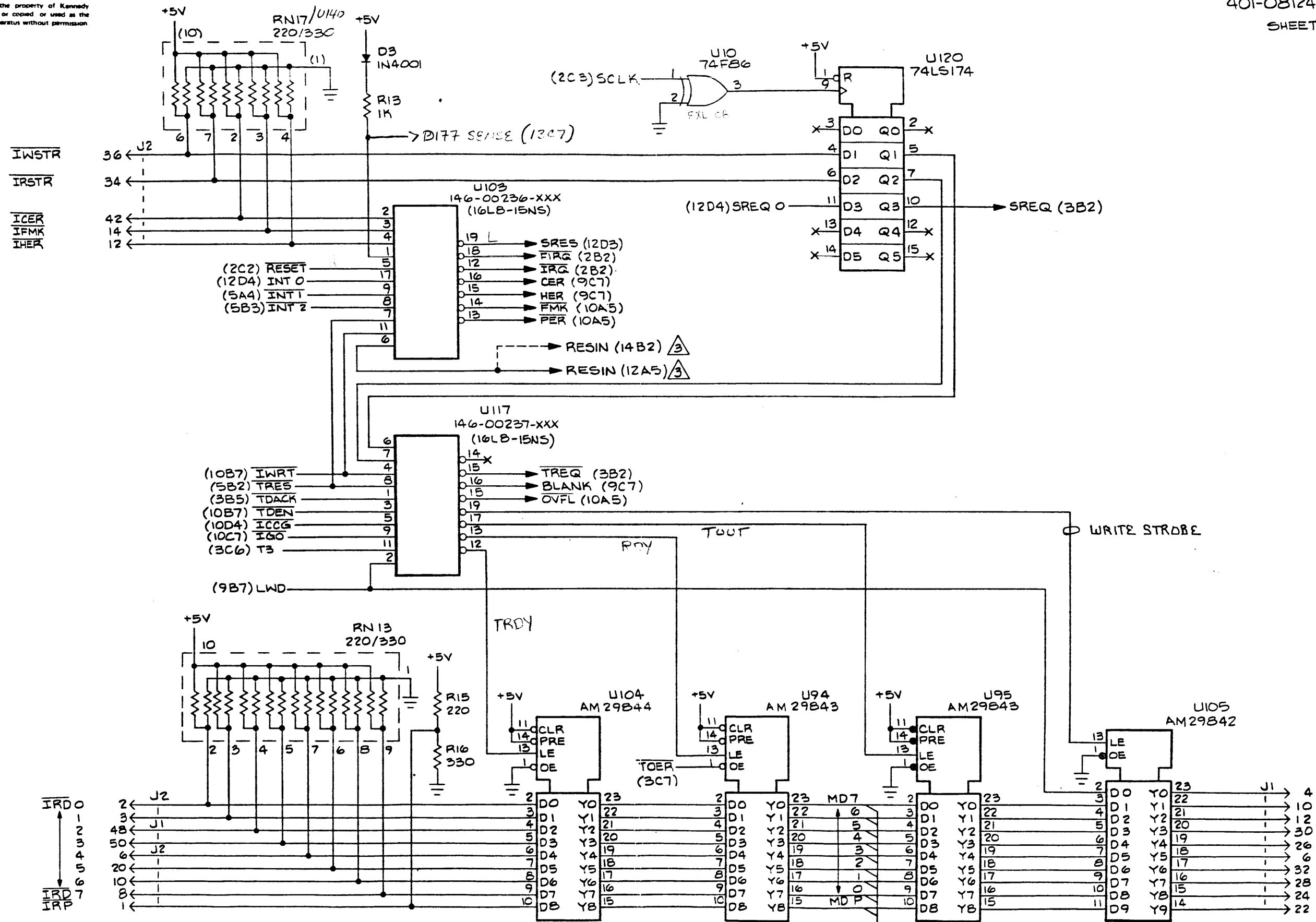
REVISIONS	DATE & APPROVAL
1	

DRAWN	C. E.	9/1/87
CHECKED		
DESIGN		
ENGR		
APPR		
MODEL		

KENNEDY
SCHEMATIC
TAPES CONT

These drawings and specifications are the property of Kennedy Company and shall not be reproduced, or copied, or used as the basis for the manufacture or sale of apparatus without permission.

401-8124-000 11/14
 401-08124-000 A
 SHEET 11 OF 14



IWSTR
 IRSTR
 ICER
 IFMK
 IHER

(2C2) RESET
 (12D4) INT 0
 (5A4) INT 1
 (5B3) INT 2

(10B7) IWRT
 (5B2) TRES
 (3B5) TDACK
 (10B7) TDEN
 (10D4) ICCG
 (10C7) IGO
 (3C6) T3

IRDO
 IRP

ILWD
 IW P

BUS INIF
 HIGH SPEED
 PARRALEL LATCHES
SCSI Tape Controller
Type 8124
Schematic Diagram

REV	DESCRIPTION	REVISIONS	DATE & APPROVAL
A	SEE SHEET ONE		

DRAWING	CHECKED	DESIGN	DATE
SCHEM, SC5I/PERT			
TAPE CONT			

1 2 3 4 5 6 7 8

These drawings and specifications are the property of Kennedy Company and shall not be reproduced, or copied, or used as the basis for the manufacture or sale of apparatus without permission.

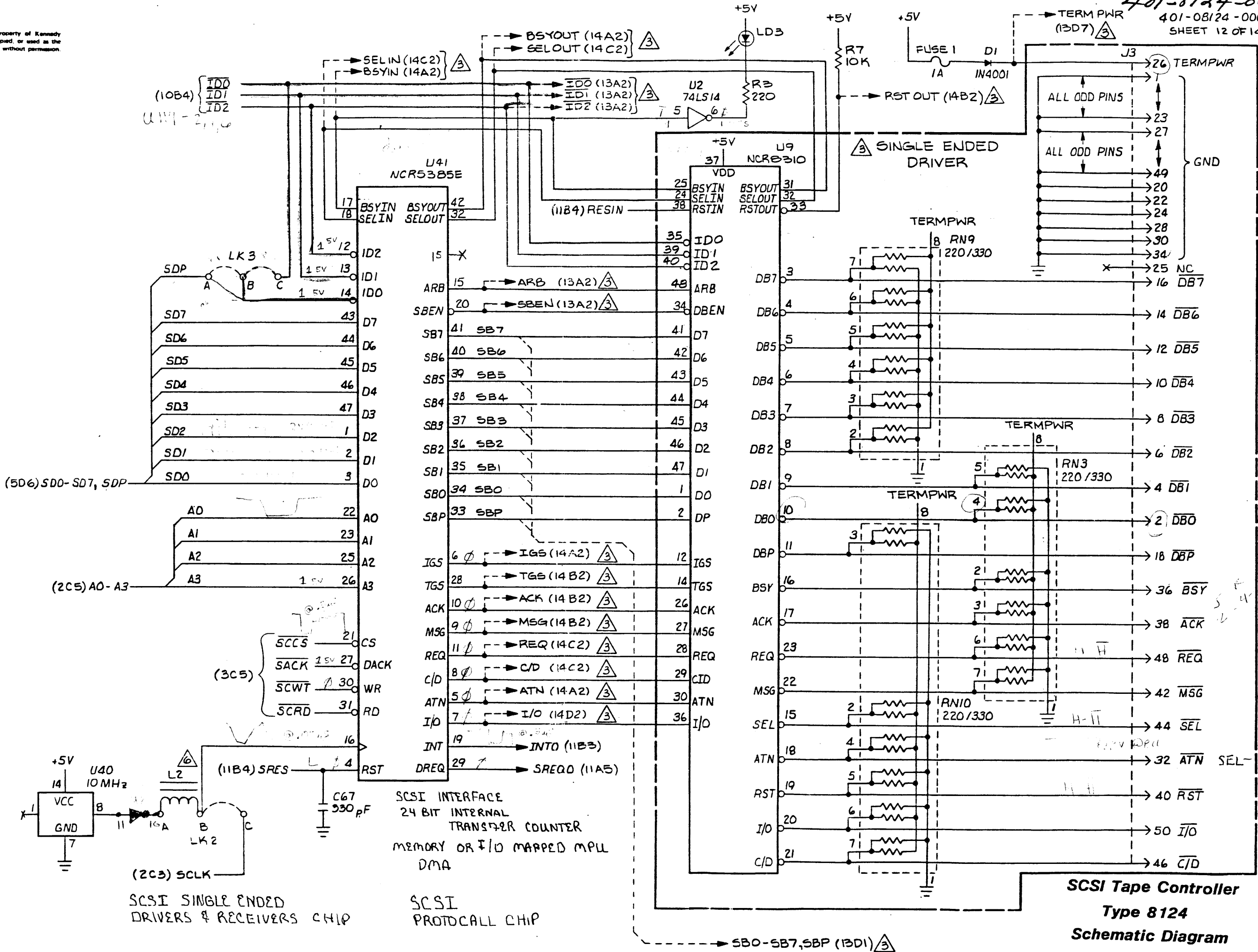
401-8124-000 14
401-08124-000 G1
SHEET 12 OF 14

A

B

C

D



REV	DESCRIPTION	DATE & APPROVAL
1	SCHEM, SCSI/PERT	4/1/82
2	TAPE CONT	4/1/82

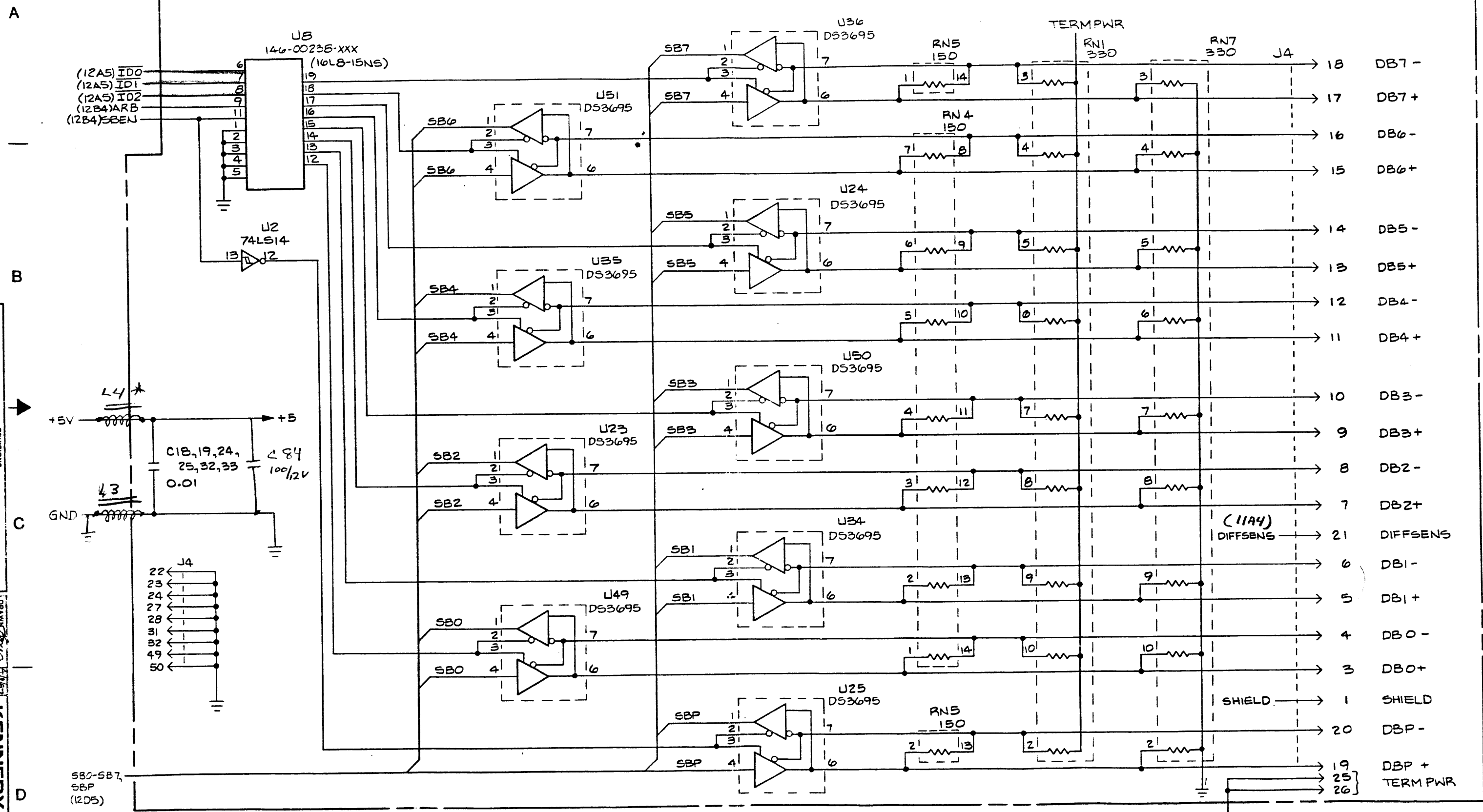
DESIGN	DATE & APPROVAL
4/1/82	4/1/82

DRAWN	C. E.
CHECK	4/1/82
ENGR	4/1/82
APPR	4/1/82
MODEL	

SCSI Tape Controller
Type 8124
Schematic Diagram

These drawings and specifications are the property of Kennedy Company and shall not be reproduced, or copied, or used as the basis for the manufacture or sale of apparatus without permission.

DIFFERENTIAL DRIVER & RECEIVERS



REV	DESCRIPTION	DATE & APPROVAL
1	SEE SHEET ONE	

NO.	REVISIONS
1	SEE SHEET ONE

DRAWING NO. 401-8124-000
 CHECKED BY: [Signature]
 DATE: 11/17/77
 APP'D: [Signature]
 MODEL: 8124-000
 SHEET SIZE: 11x17
 SCHEM. SIZE: 11x17
 TAPE CONT.

(12A7) TERM PWR
**SCSI Tape Controller
 Type 8124
 Schematic Diagram**